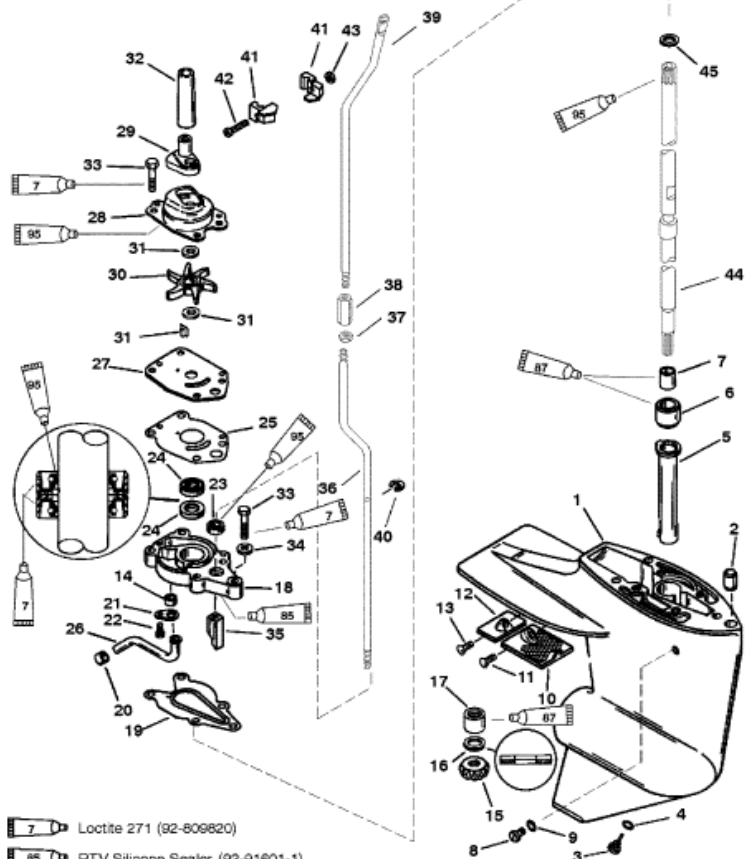






**2.60 IN./102MM
 TORPEDO DIA.**



-  Loctite 271 (92-809820)
-  RTV Silicone Sealer (92-91601-1)
-  Super Duty Gear Lubricant (92-13783A24)
-  2-4-C With Teflon (92-825407A12)

Parts List						
Ref	Class	Part	Description	Qty	Comment	Footnote
-	1666	8833A25	GEAR HOUSING-COMplete	1	(SHORT) BLACK	
-	1666	8833A27	GEAR HOUSING-COMplete	1	(LONG) BLACK	
-	1666	8833A26	GEAR HOUSING-COMplete	1	(SHORT) GRAY	
-	1666	8833A28	GEAR HOUSING-COMplete	1	(LONG) GRAY	
1	1666	8833A17	GEAR HOUSING	1	(BLACK)	
1	1666	8833A18	GEAR HOUSING	1	(GRAY)	
2	23	12009	BUSHING-GEAR HOUSING	1		
3	22	67892	DRAIN SCREW	1		
4	12	19183	SEALING WASHER	1		6,7
5		822244A 1	SLEEVE ASSEMBLY	1		
6	23	823944	SLEEVE	1		
7	23	823943	BUSHING	1		
8	10	79953	SCREW PLUG KIT	1		
9	12	19183	SEALING WASHER	1		6,7
10	35	42199 1	SCREEN	1		
11	10	13954	SCREW	1		
12		42121A 2	ANODE ASSEMBLY	1		
13	10	13954	SCREW	1		
14	26	42133	SEAL	1		3,6
15	43	821925 1	PINION GEAR (13 TEETH)	1		
16	12	41369	WASHER-THRUST	1		
17	31	22756	BEARING	1		
18	46	42040A 5	WATER PUMP BASE	1		6,7
19	27	19204 2	GASKET	1		3,6,7
20	26	33613	SEAL	1		3,6,7
21		42375	RETAINER	1		7
22	10	48408	SCREW	1		7
23	25	822236	QUAD RING	1		3,7
24	26	41365 1	OIL SEAL	1		6,7
25	27	19202	GASKET	1		3,6,7
26	32	42185A 1	WATER TUBE	1		
27		42200	FACE PLATE	1		7
28	46	42089A 2	COVER ASSEMBLY	1		7
29	26	42102 1	SEAL	1		3,6,7
30	47	42038 2	IMPELLER	1		7
31	28	42376A 2	KEY ASSEMBLY	1		7
32		44467 1	GUIDE	1		
33	10	826844 30	SCREW-WATER PUMP	5		
34	12	29245	WASHER	1		
35		42039	CAM-SHIFT	1		
36		925526	SHIFT SHAFT	1	(SHORT)	